

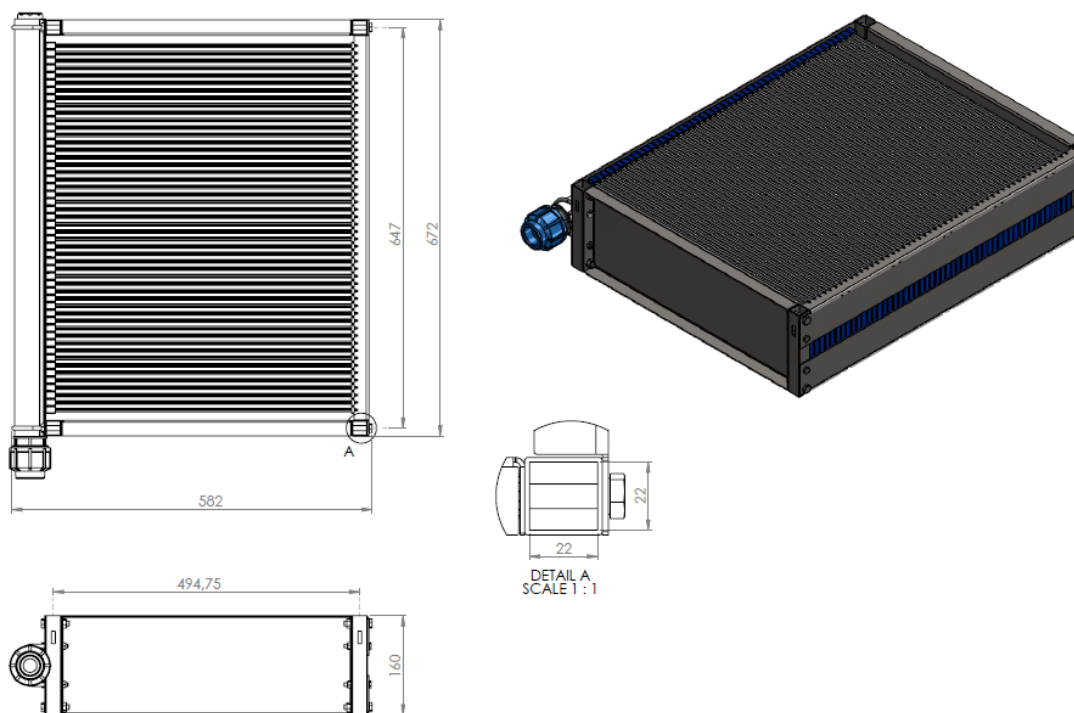
## SiCFM-00145



### Specifications - SiCFM-00145

Membrane material	Silicon Carbide
O-ring material	Viton/EPDM/NBR (NSF61)
Cap material	Glass fiber/PPS (NSF61)
Active membrane surface	0,145 m <sup>2</sup>
Average pore size	0,1 µm
Ph range	1-13
Dimensions	L509xW150xT6/11mm
Fits into permeate manifold hole of	Ø9,6mm H7
Maximum permeate flow	145 ltr/hour
Maximum suction pressure	-700 mbar
Maximum backwash pressure	3 bar
Operating temperature	5-80° C
Cleaning methods	Backwash/Airpressure/High pressure jet/Chemical cleaning

## SiCFM-0725



### Specifications - SiCFM-0725

Membrane material	Silicon Carbide
Number of flat sheet membranes	50 pcs
Active membrane surface	7,25 m <sup>2</sup>
Module material	SS316/PP
Permeate and hose connection	G 1¼
Weight	40 kg
Maximum permeate flow	7,25 m <sup>3</sup> /hour
Maximum suction pressure (outside-in)	-700 mbar
Maximum backwash pressure (outside-in)	3 bar
Operating temperature	5-80° C
Cleaning methods	Backwash/Airpressure/High pressure jet/Chemical cleaning
Fields of application	Drinking water/Waste water